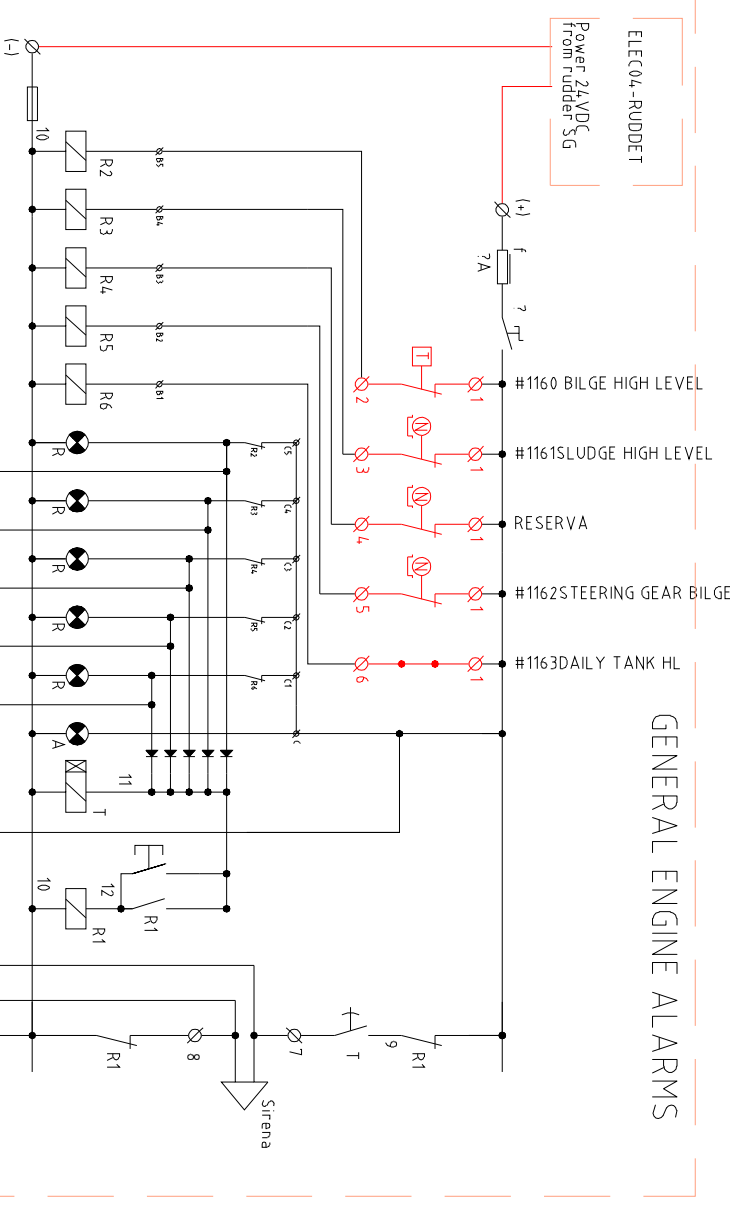


K1: Rudder port by tiller
 K2: Rudder starboard by tiller
 K12: Rudder port by PLC
 K22: Rudder stbd by PLC
 K3: Bridge control accepted

GENERAL ENGINE ALARMS



Supply 24VDC alarm panel engine
 ELEC04-ALARMS

- AM1, engine alarm, 24VDC+
- AM4, engine alarm, steering gear bilge high level
- AM2, engine alarm, bilges high level
- AM3, engine alarm, sludge tank high level
- AM5, engine alarm, DO daily tank high level
- AM7, engine alarm,
- AM8, engine alarm,
- AM10, engine alarm, 0VDC alarm signal reference
- AM11, engine alarm,
- AM12, engine alarm,
- AM17, engine alarm,
- AM18, engine alarm,
- AM19, engine alarm,
- AM20, engine alarm,
- AM21, engine alarm,
- AM22, engine alarm,
- AM23, engine alarm,
- AM24, engine alarm,
- AM25, engine alarm,
- AM26, engine alarm,
- AM27, engine alarm,
- AM28, engine alarm,
- AM29, engine alarm,
- AM30, engine alarm,
- AM31, engine alarm,
- AM32, engine alarm,
- AM33, engine alarm,
- AM34, engine alarm,
- AM35, engine alarm,
- AM36, engine alarm,
- AM37, engine alarm,
- AM38, engine alarm,
- AM39, engine alarm,
- AM40, engine alarm,
- AM41, engine alarm,
- AM42, engine alarm,
- AM43, engine alarm,
- AM44, engine alarm,
- AM45, engine alarm,
- AM46, engine alarm,
- AM47, engine alarm,
- AM48, engine alarm,
- AM49, engine alarm,
- AM50, engine alarm,
- AM51, engine alarm,
- AM52, engine alarm,
- AM53, engine alarm,
- AM54, engine alarm,
- AM55, engine alarm,
- AM56, engine alarm,
- AM57, engine alarm,
- AM58, engine alarm,
- AM59, engine alarm,
- AM60, engine alarm,
- AM61, engine alarm,
- AM62, engine alarm,
- AM63, engine alarm,
- AM64, engine alarm,
- AM65, engine alarm,
- AM66, engine alarm,
- AM67, engine alarm,
- AM68, engine alarm,
- AM69, engine alarm,
- AM70, engine alarm,
- AM71, engine alarm,
- AM72, engine alarm,
- AM73, engine alarm,
- AM74, engine alarm,
- AM75, engine alarm,
- AM76, engine alarm,
- AM77, engine alarm,
- AM78, engine alarm,
- AM79, engine alarm,
- AM80, engine alarm,
- AM81, engine alarm,
- AM82, engine alarm,
- AM83, engine alarm,
- AM84, engine alarm,
- AM85, engine alarm,
- AM86, engine alarm,
- AM87, engine alarm,
- AM88, engine alarm,
- AM89, engine alarm,
- AM90, engine alarm,
- AM91, engine alarm,
- AM92, engine alarm,
- AM93, engine alarm,
- AM94, engine alarm,
- AM95, engine alarm,
- AM96, engine alarm,
- AM97, engine alarm,
- AM98, engine alarm,
- AM99, engine alarm,
- AM100, engine alarm,

AM lines are engine alarms
 ST lines are signals to rudder
 Lines h are the labels marked on cables

Fieldx Chapterx Subtitlex

Operation of General Alarms, Main and Auxiliary Engines
 Rudder and Engine Alarms



Revisar circuitos

REV01	RR	OCT2020	IES NÁUTICO PESQUERO DE PASAJA	SRV.-CONTROL TIMÓN/ALARMAS	Código SRV plano eléctrico ELEC04
P&I CONTROL/ALARMS RUDDER AND ENGINE					