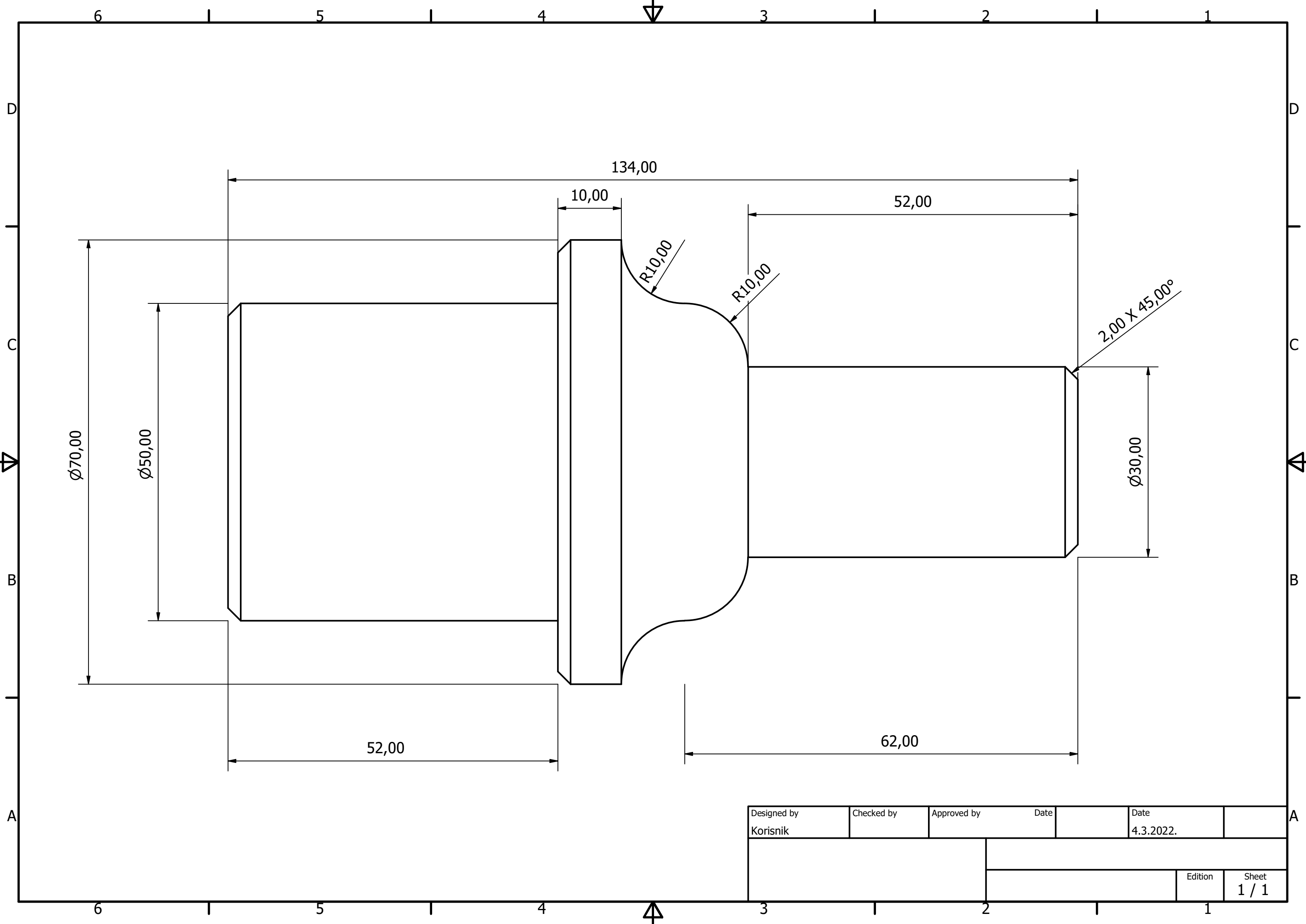




<b><i>Field</i></b>	<b><i>CNC turning and milling</i></b>
<b><i>Chapter</i></b>	<b><i>Turning</i></b>
<b><i>Subtitle</i></b>	<b><i>Exercise 3</i></b>





Ø70,00

Ø50,00

Ø30,00

134,00

10,00

52,00

52,00

62,00

R10,00

R10,00

2,00 X 45,00°

Designed by Korisnik	Checked by	Approved by	Date	Date 4.3.2022.	
			Edition		Sheet 1 / 1